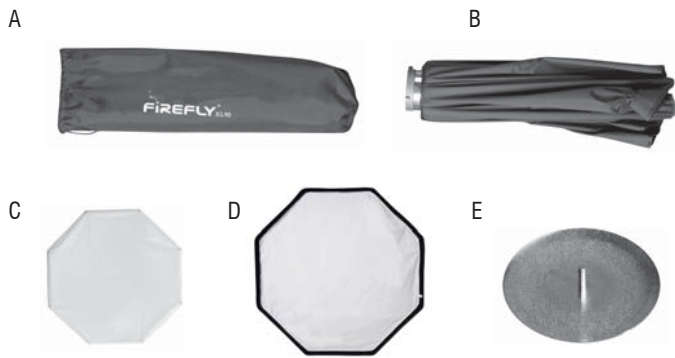




1. Parts

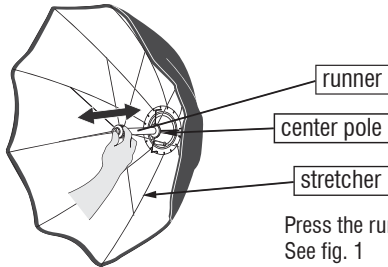


A. Carry bag
B. Firefly XL equipped with an adaptor ring for designated flash brand

C. Inner diffuser
D. Outer diffuser
E. Optional deflector DFS20

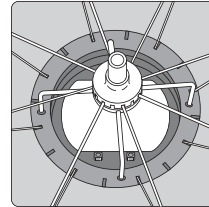
2. Setting up procedure

Fig. 1



Press the runner toward the center pole. See fig. 1

Fig. 2



Make sure all the stretchers are straight and equal.

Fig. 3 O

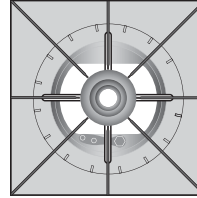
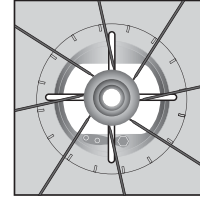


Fig. 4 X



If the stretchers are twisted, rotate the runner slightly until they are all straight. See fig. 2, fig. 3 and fig. 4

Fig. 5



Once FXL is spread out, place it in front of your flash head which is already mounted to a light stand. See fig. 5

If an optional deflector is available

Fig. 6

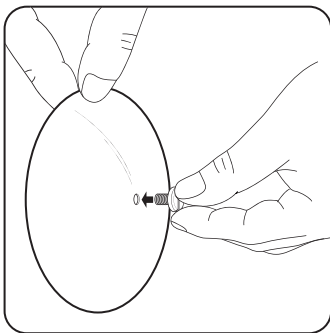
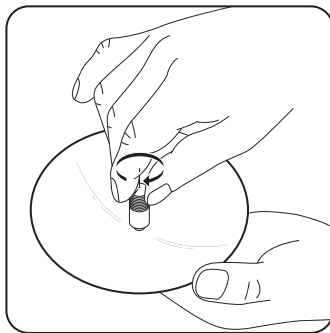
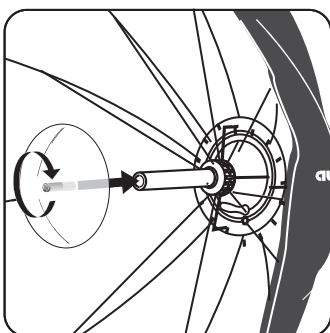


Fig. 7



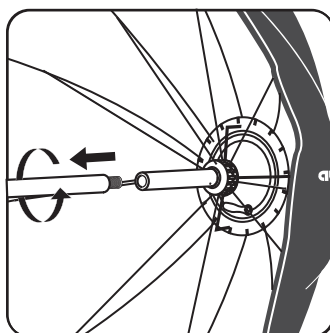
Insert a tightening bolt into a hole in the center of deflector. See fig. 6
Hold the deflector upside down and screw and an extension rod onto the bolt. See fig. 7

Fig. 8



Screw an assembled deflector into the internal pole of Firefly XL. See fig. 8

Fig. 9



The center pole of FXL120 is connected with an extension rod. Remove it first and screw an assembled deflector. See fig. 9

Fig. 10

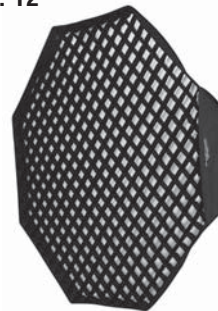


Fig. 11



To use Firefly XL for soft light, attach inner and outer diffuser instead of deflector. See fig. 10 and fig. 11

Fig. 12



Soft grids can be used in addition for more directional light. See fig. 12

Fig. 13



Insert your hand through a zipper to place a gel filter in front of light or pull out the runner for pack up. See fig. 13

To keep pace with our continued design and development this product may be modified by Aurora Lite Bank at any time.